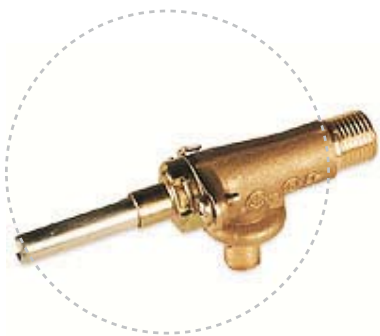


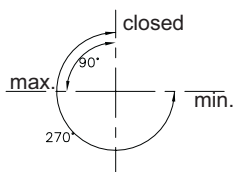


_ Gas Cooking > Gas Valves

CAM 20900 square tube series



_ Rotation diagrams



_ Construction characteristics

Mechanical body: drop-forged brass.
Male cone: bar-cut brass.
Cover: drop-forged steel.
Spindle: drop-forged steel.

_ Other characteristics

Max. ambient temperature: up to 150 °C
Max. gas pressure: 65 mbar
Stroke: 2,5 mm
Flow: 250 l/h (1mbar pressure drop).

_ Functional characteristics

Max. tightness at test pressure 150 mbar: ≤ 8 cm³/h
Max. turning torque of the spindle: 0.2 N m

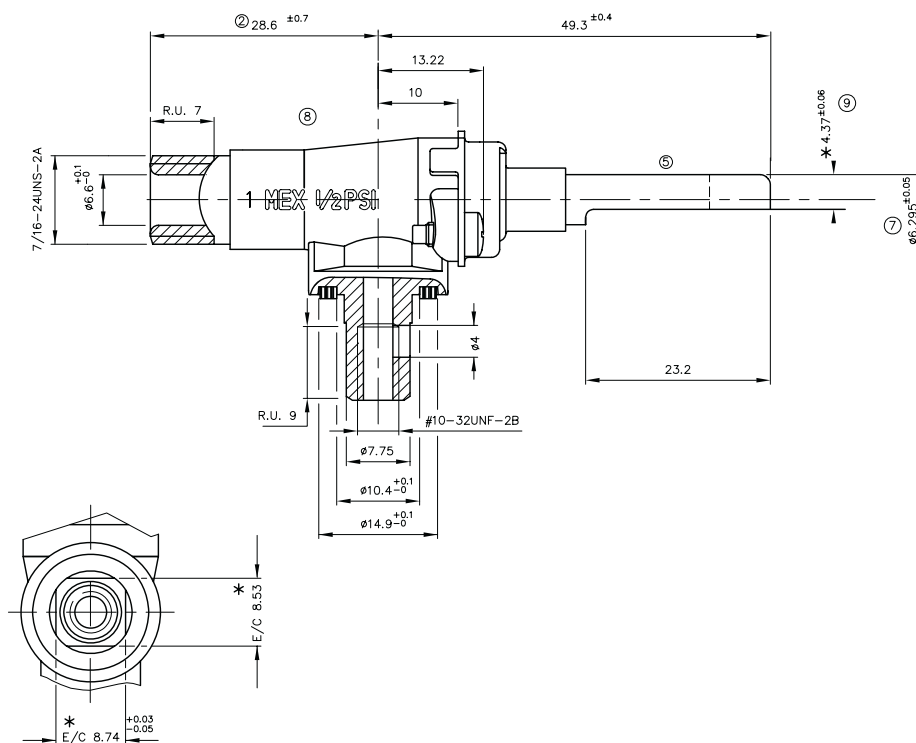
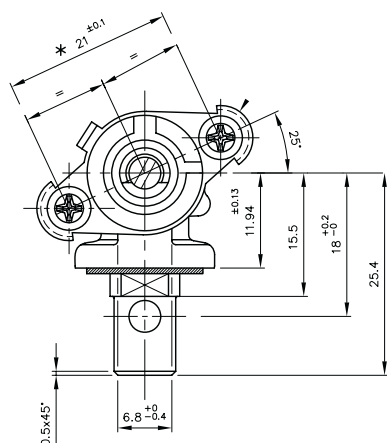
_ Connection characteristics

Inlet type: square. On request and after a study, other types and dimensions.
Outlet types: according to customer specifications.
Spindle dimensions: according to customer specifications.

_ Installation characteristics

Max. torque for screwing: 3 N m (2 screws) and 2 N m (1 screw).
Max. torque of fitting outlet: 8 N m (biconical), 15 N m (flaring).
Range for tightening torque of injectors: 1.5 - 2.5 N m

_ Main outside dimensions



* Other versions available upon request.