

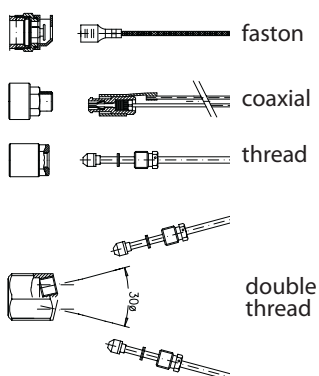


_ Gas Cooking > Safety Thermostats

MTZ 22300 series



_ Thermocouple connections



_ Construction characteristics

- Mechanical body: drop forged brass.
- Male cone: bar-cut brass.
- Grill outlet/pilot: drop forged brass and die-cast aluminium.
- Spindle: bar-cut brass or aluminium.
- Cover: drop forged steel.

_ Functional characteristics

- Maximum temperature: 150 °C
- Maximum bulb temperature: 320 °C
- Oven temperature adjustment field
 - Maximum: 300 °C
 - Minimum: that allowed by the burner.
- Thermostatic adjustment type: modulating.
- Maximum flow: limited by the thermostat or oven injector.
- Minimum flow: limited by thermostat by-pass. By-pass adjustable for each type of gas.
- Flows between maximum and minimum: determined thermostatically.
- Maximum gas pressure: 65 mbar

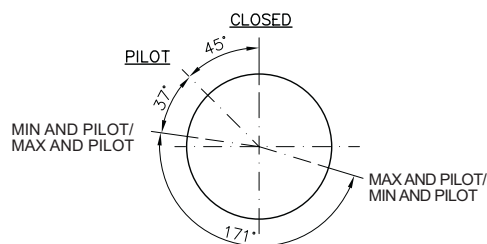
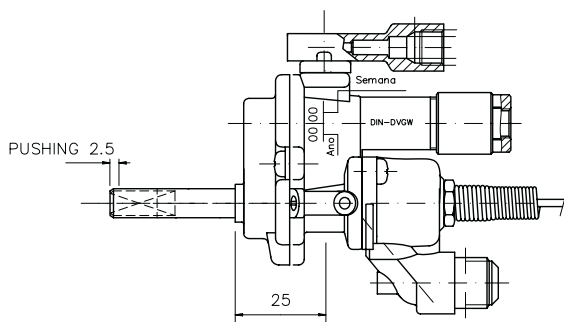
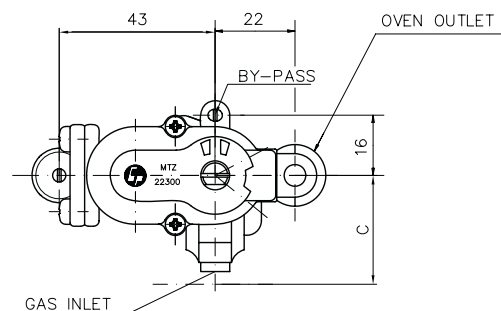
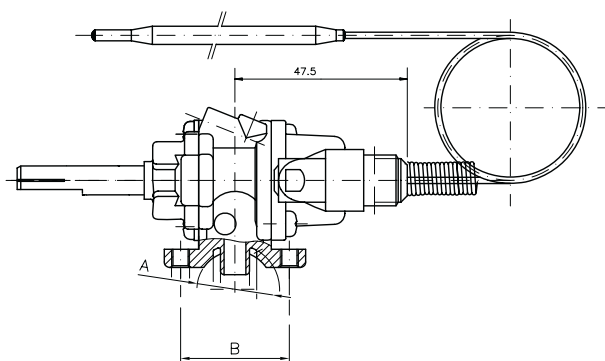
_ Connection characteristics

- Inlet types:
 - For round rails with 16 mm diameter.
 - For square rails.
 - On demand and after a study, other types and dimensions.
- Outlet types: according to customer requirements.
- Spindle dimensions: according to customer requirements.
- Other dimensions: according to customer requirements.

_ Installation characteristics

- The thermocouple connector: max. 4 N m
- Flange screws: max. torque for
 - 2 screws: 3 N m
 - 1 screw: 2 N m
- Max. torque of fitting outlet: 8 N m (biconical), 15 N m (flaring).
- Min. bending radius: capillary pipe 15 mm /thermocouple 25 mm
- Min. straight thermocouple length from connection to thermostat: 15 mm

_ Main outside dimensions



* Other versions available upon request.